



REVIEW MATERIAL ENGLISH AREA

1. Read and draw.

1 Two **cats** are on the table.

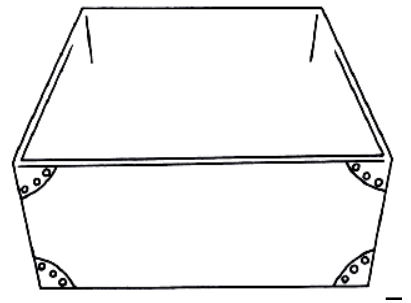
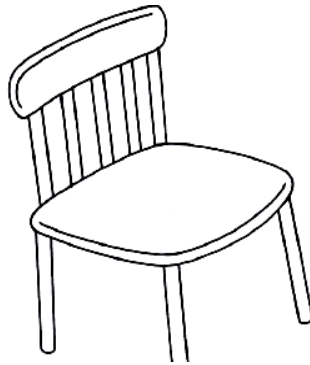
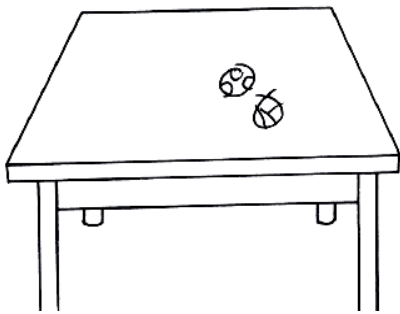
2 A ball is under the chair.

3 A car is under the table.

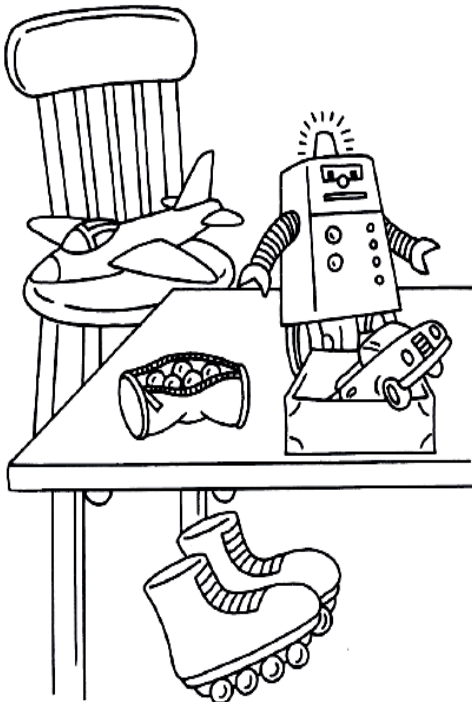
4 A **bird** is in the box.

5 A train is on the chair.

6 Three **dogs** are in the box.



2. Read and write YES or NO.



1 The plane is on the chair.

Yes

2 The skates are on the table.

3 The car is in the box.

4 The marbles are under the pencil case.

5 The robot is on the chair.

6 The skates are under the table.
